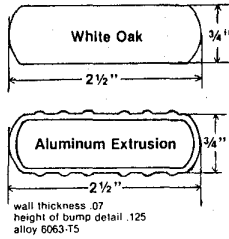


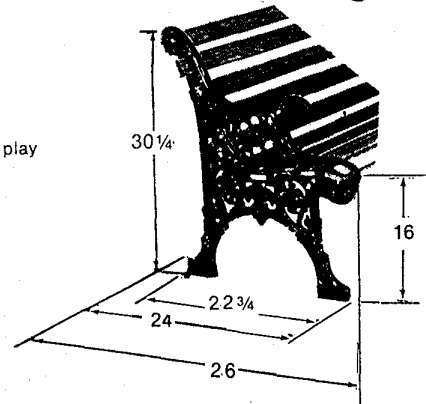
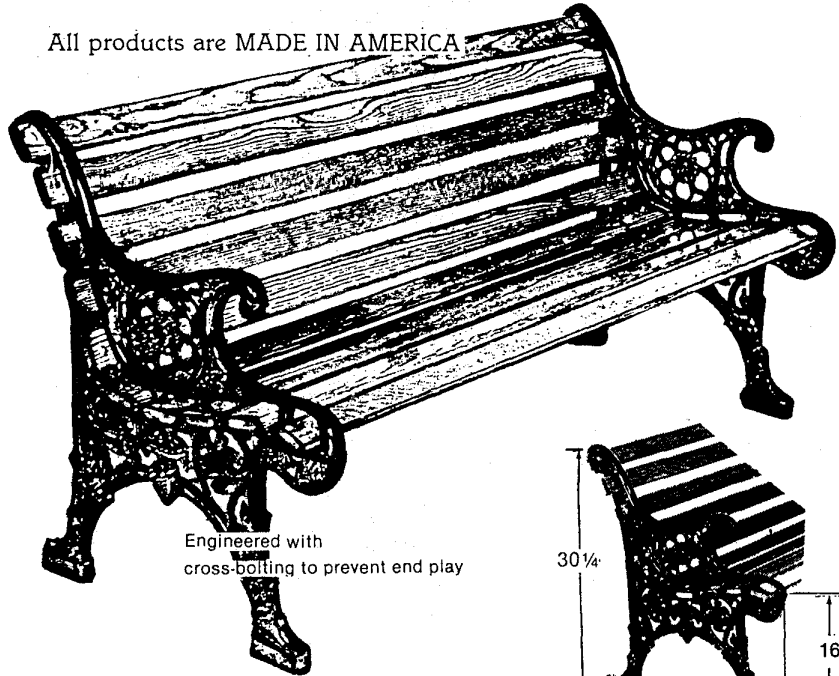


# 27BE-00001 Renaissance Bench, 48" Long

Standard Lengths: 22",  
40", 48", 60", 80"  
Custom Lengths:  
Available by quote



All products are MADE IN AMERICA



## SPECIFICATIONS

### FRAME

- **Material:** Cast aluminum poured in permanent molds
- **Finish:** Electro static powder coating
- **Color:** Black, White, Green, Tan, Dk. Brown, Gold Hammer Tone
- **Plating:** Antique Brass, Antique Copper; Not for exterior use

### WOOD RAILS

- **Material:** FAS White Oak
- **Size:** 2 1/2 in. wide by 3/4 in. milled two edges 3/4 in. half round
- **Number of Rails:** 10
- **Finish:** PENOFIN® impact impregnated
- **Maintenance:** Apply PENOFIN® as necessary. Follow manufacturer's instructions.

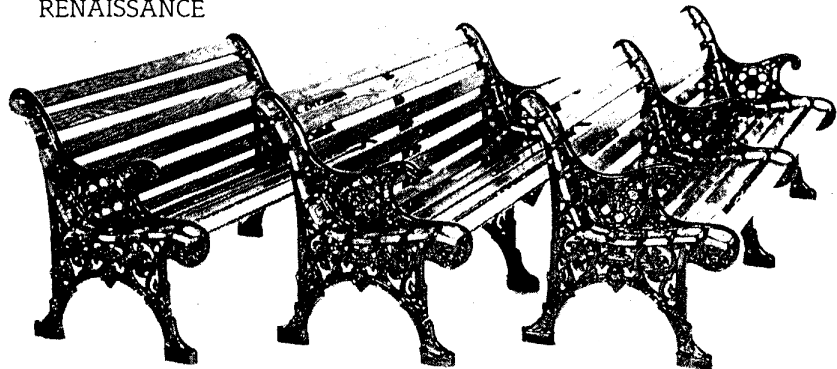
### HARDWARE

- **Carriage Bolts:** 1/4-20 steel zinc plate, yellow dipped
- **Nuts:** 1/4 in. steel zinc plate

### DIMENSIONS

Height	.30 1/4 inches
Arm Height	.24 inches
Seat Height	.15 3/4 inches
Seat Depth	.16 inches
Width	.26 inches

### RENAISSANCE



- 80 inch Benches: Center arm rest can be removed

### PENOFIN®

Rosewood Oil is the base and primary solid of this product.

Transoxide Pigments are strategic metals microscopically ground to effect a 90% sun block against damaging ultraviolet rays.

### BOLT DOWN DETAIL

VICTORIAN and RENAISSANCE benches can be drilled for permanent attachment.

