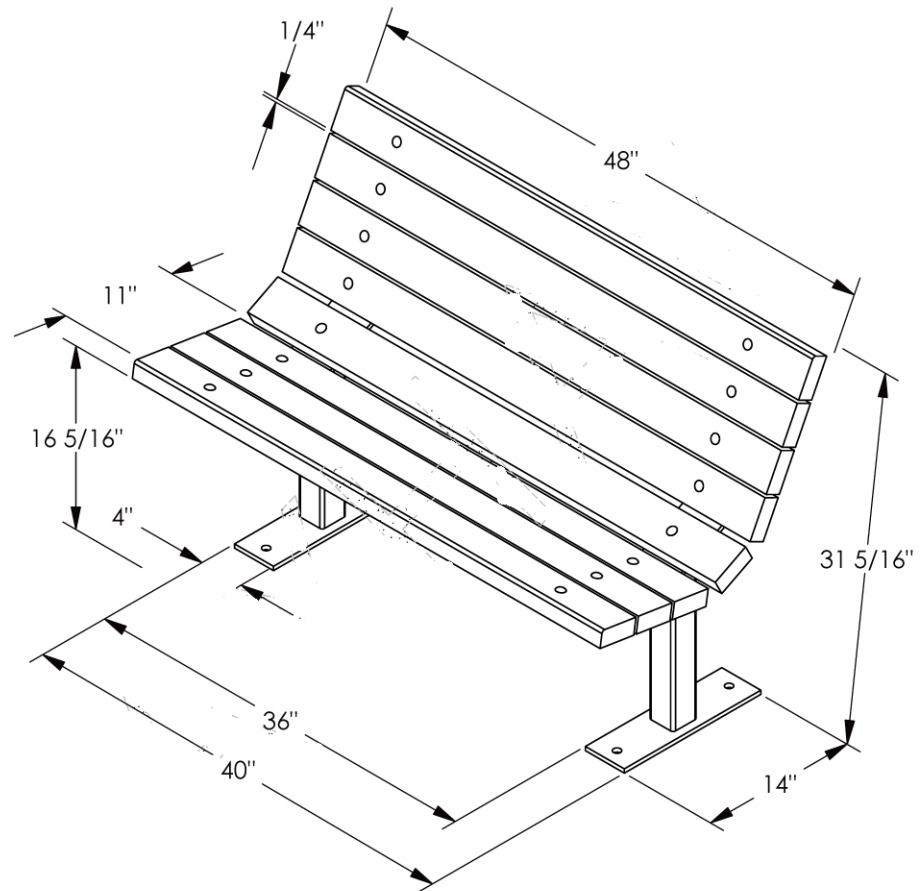




18BE-043  
Contour Bench, 4' Long



NOTES:

- 2 X 4 SLATS ARE RECYCLED PLASTIC
- BASES ARE STRUCTURAL STEEL
- ALL HOLES PRE-DRILLED
- ALL HARDWARE IS ZINC PLATED  
(3/8 X 2 1/4 LG. RND HD. BOLT WITH  
LOCK NUT)
- STAINLESS STEEL HARDWARE  
AVAILABLE
- UNIT WEIGHT APPROX. 110 LBS.