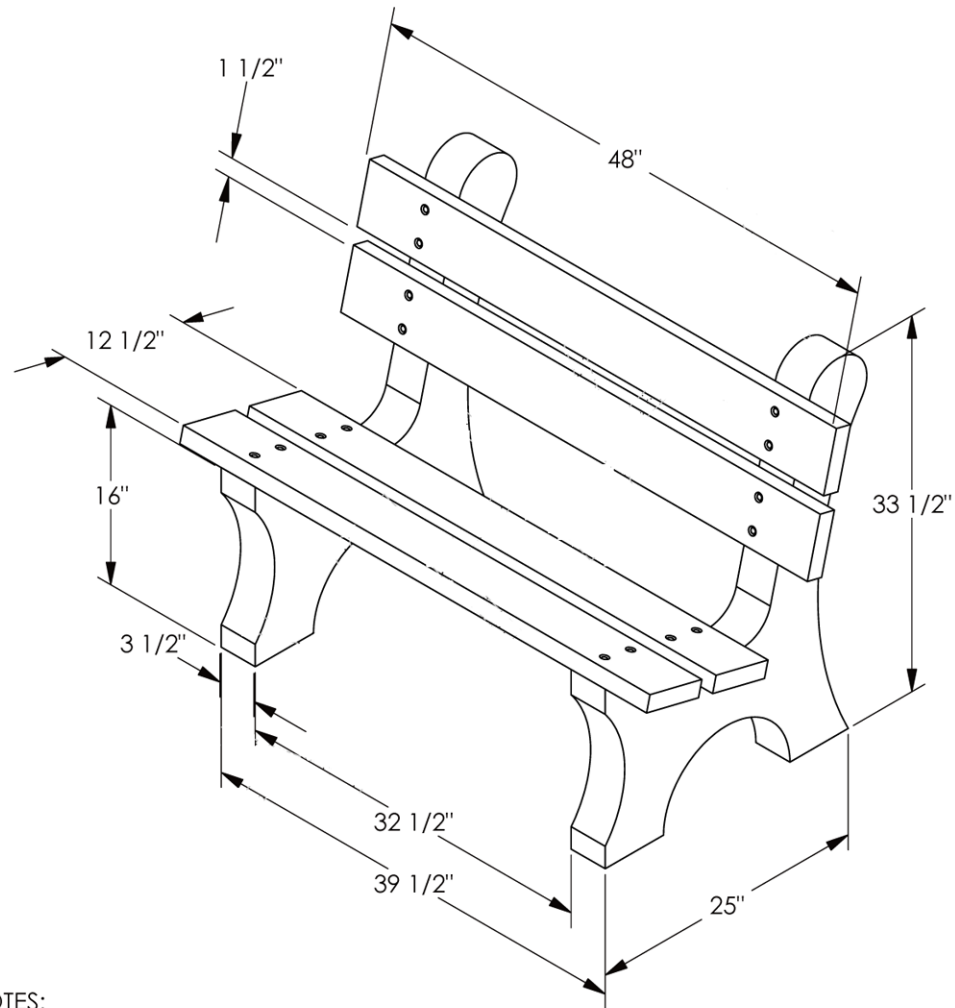




18BE-018
Colonial Bench, 4' Long



NOTES:

- 2 X 6 SLATS ARE RECYCLED PLASTIC
- BASES ARE RECYCLED PLASTIC
- ALL HOLES PRE-DRILLED AND COUNTERSUNK
- ALL HARDWARE IS ZINC PLATED (1/4 X 3 1/2 LG. HEX HD. LAG SCREWS, WITH WASHERS)
- STAINLESS STEEL HARDWARE AVAILABLE
- UNIT WEIGHT APPROX. 105 LBS.