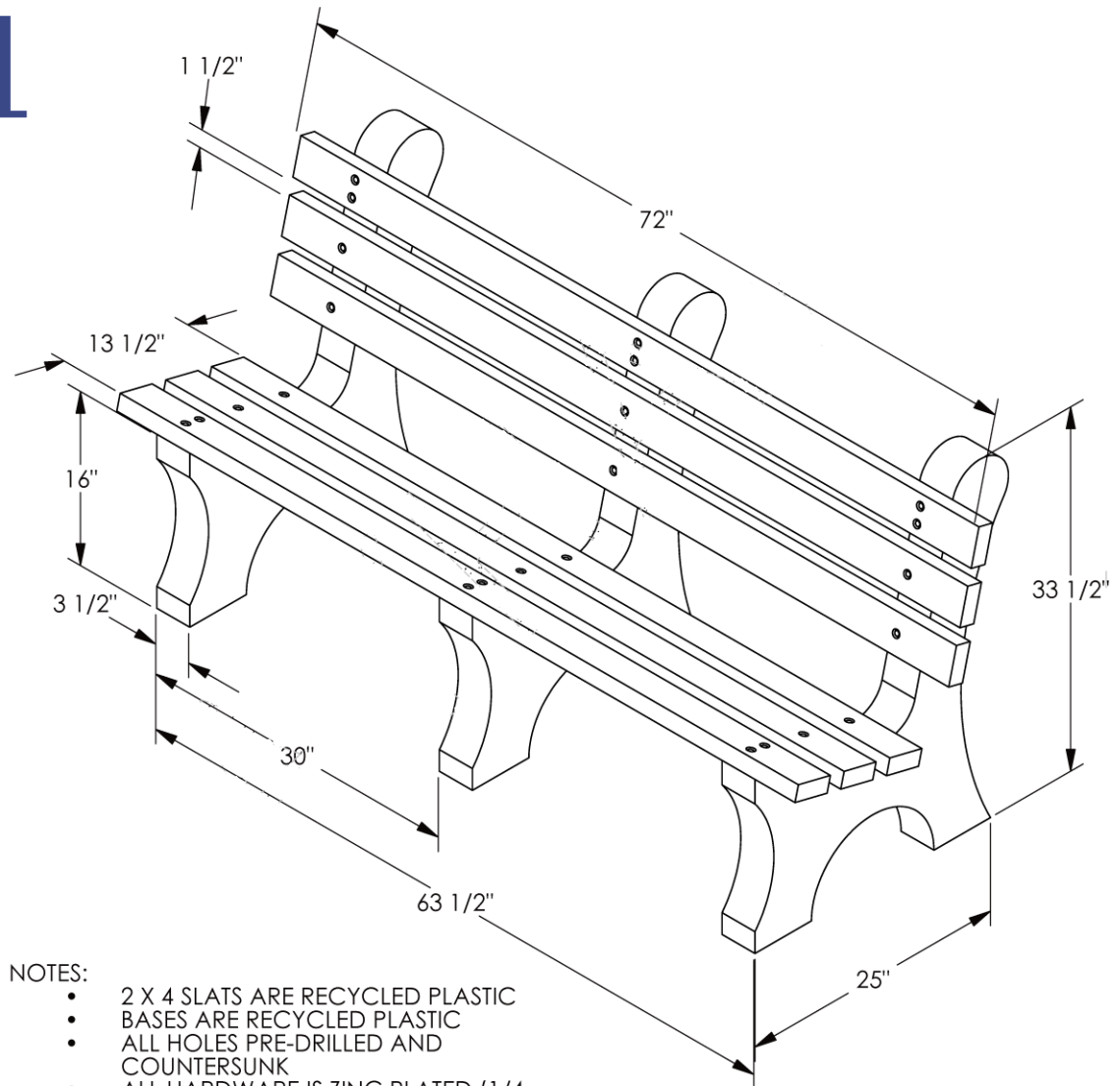




18BE-016

Central Park Bench, 6' Long



NOTES:

- 2 X 4 SLATS ARE RECYCLED PLASTIC
- BASES ARE RECYCLED PLASTIC
- ALL HOLES PRE-DRILLED AND COUNTERSUNK
- ALL HARDWARE IS ZINC PLATED (1/4 X 3 1/2 LG. HEX HD. LAG SCREWS, WITH WASHERS)
- STAINLESS STEEL HARDWARE AVAILABLE
- UNIT WEIGHT APPROX. 150 LBS.