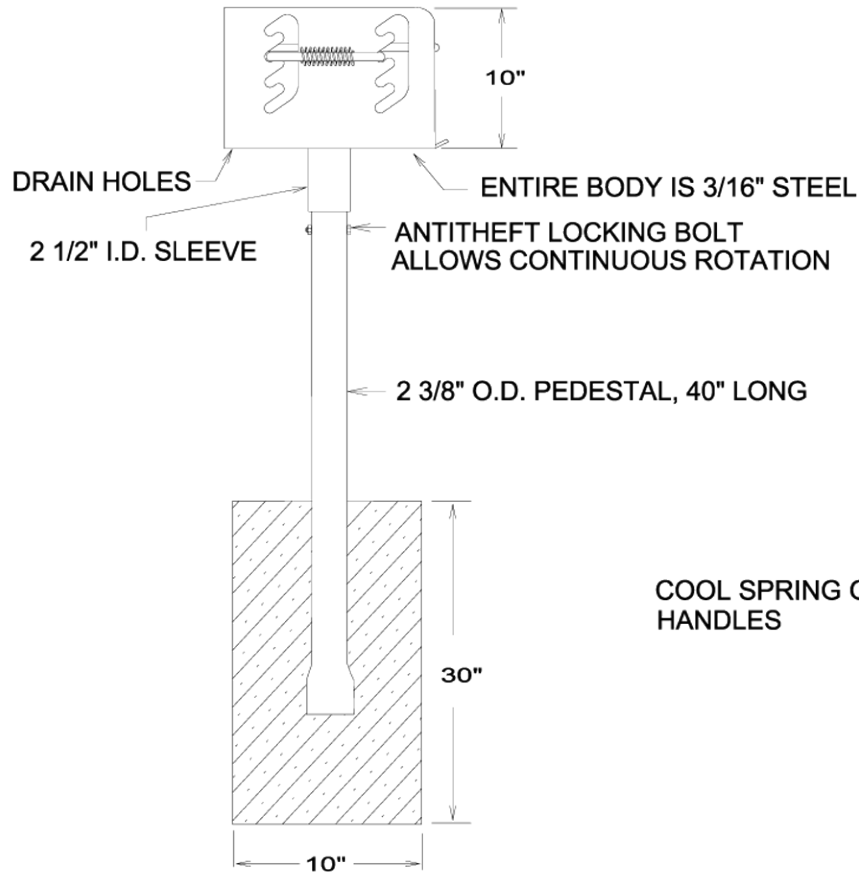


FINISH IS HIGH HEAT RESISTANT BLACK ENAMEL
 COOKING GRATE HAS 4 LEVELS OF ADJUSTMENT
 AND CANNOT BE REMOVED FROM THE GRILL BODY



12GR-00008

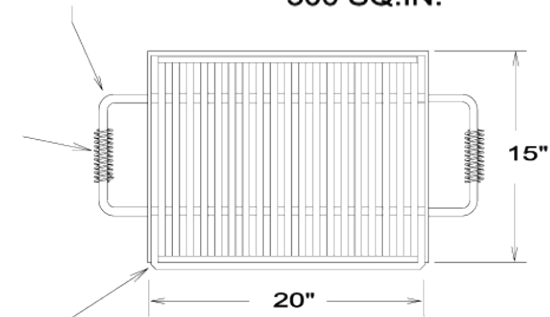
Santa Barbara Pedestal Grill, Black Enamel
 Finish, 2 3/8" O.D. Pedestal



COOL SPRING GRIP
 HANDLES

HANDLES ARE 5/8" ROD

COOKING SURFACE IS
 1/2" RODS ON 1" CENTERS
 300 SQ.IN.



45 DEG. CHAMFER ON ASH LIP

NOTE: THE SIZE OF THE FOOTING
 IS ONLY A SUGGESTION
 YOUR LOCAL SOIL CONDITIONS
 SHOULD DETERMINE WHAT IS
 NECESSARY