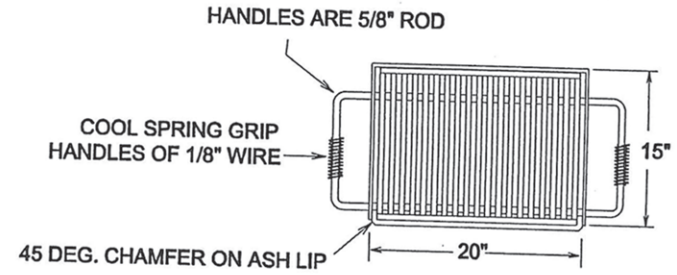
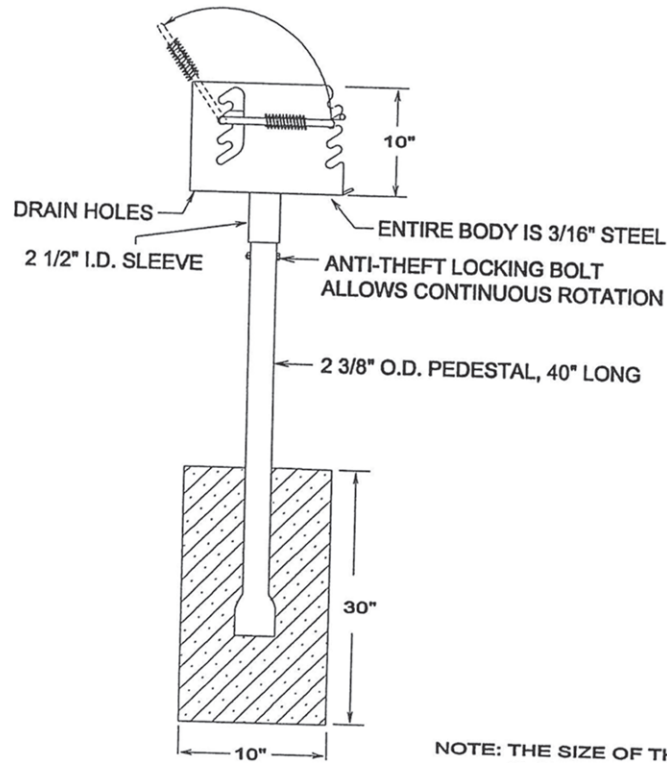


COOKING GRATE HAS 4 LEVELS OF ADJUSTMENT
AND FLIPS BACK FOR EASY FIRE BUILDING
AND CLEANOUT, YET CANNOT BE REMOVED
FROM THE GRILL BODY

COOKING SURFACE IS
1/2" RODS ON 1" CENTERS
300 SQ. IN.



FINISH:

COOKING GRATE - HEAT RESISTANT BLACK ENAMEL
BODY & PEDESTAL - *SAME*

NOTE: THE SIZE OF THE FOOTING
IS ONLY A SUGGESTION
YOUR LOCAL SOIL CONDITIONS
SHOULD DETERMINE WHAT IS
NECESSARY



12GR-00001

Santa Fe Pedestal Grill, Black Enamel Finish, 2 3/8"
O.D. Pedestal