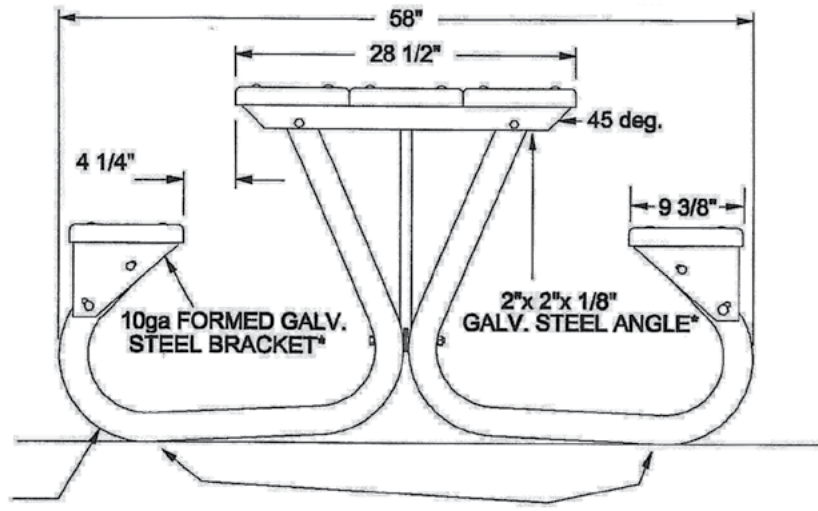
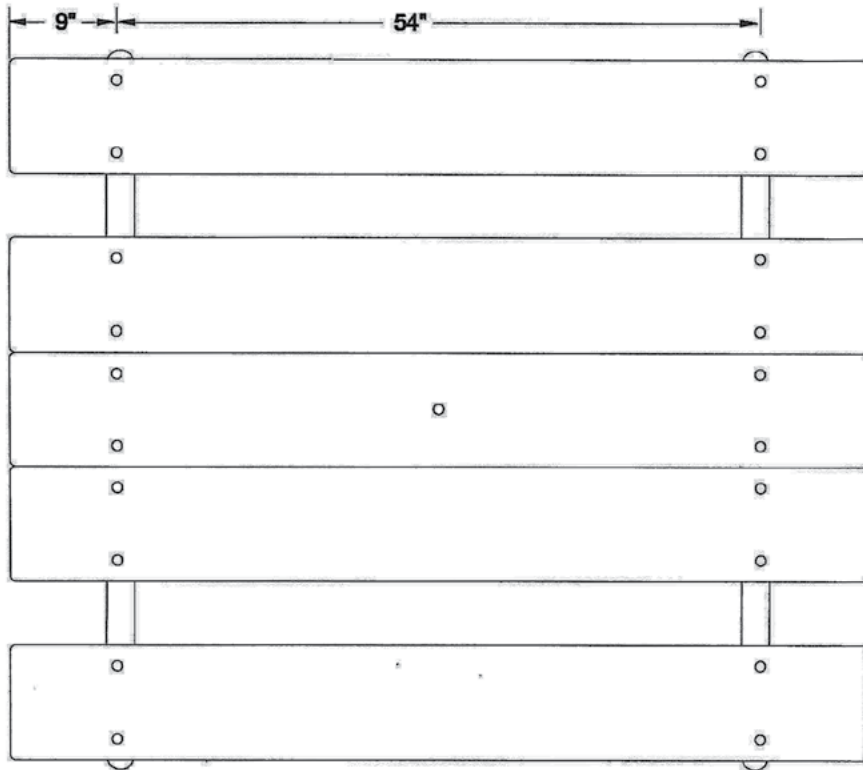




12FM-00010

**6' Pocono Picnic Table
Frame Only
78 lbs.**

2 3/8" O.D. GALVANIZED HIGH TENSILE TUBE FOR LONGER LIFE.



THE TABLE RESTS ON THE FOUR OUTSIDE CORNERS SO THAT IT WILL NOT ROCK ON UNEVEN GROUND.

* SEAT BRACKET & TOP CLEAT ARE GALVANIZED AFTER FABRICATION TO ELIMINATE RAW EDGES LEFT WHEN USING PRE-GALV. SHEETS

