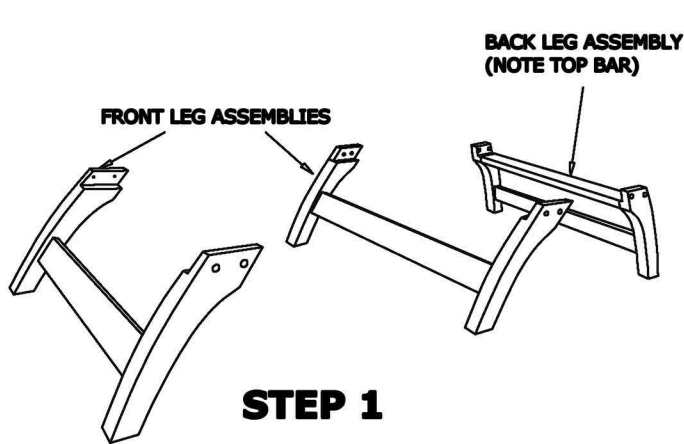


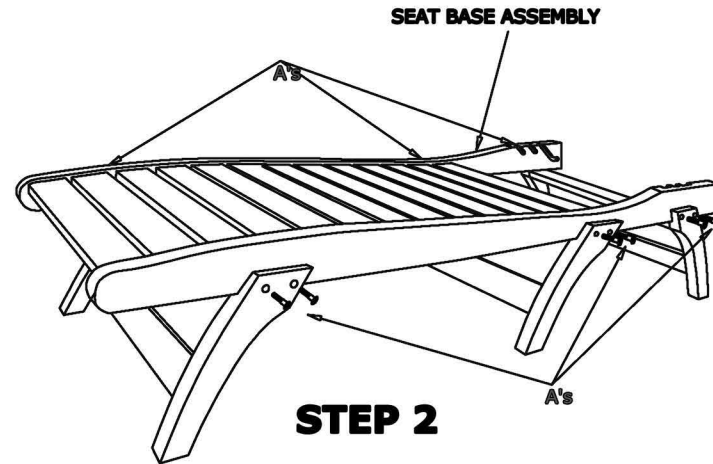
CONTOUR SUN CHASER LOUNGE

119LC-00001



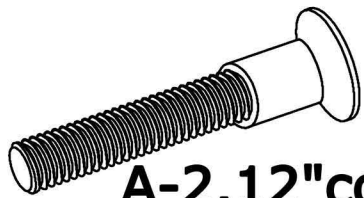
STEP 1

Arrange Front Leg Assemblies and Back Leg Assembly.

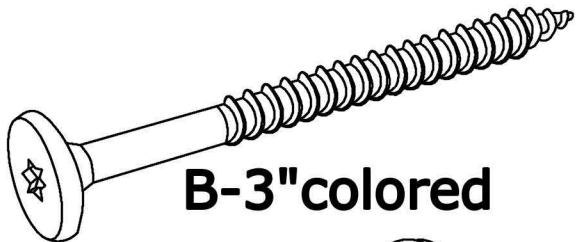


STEP 2

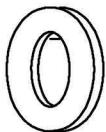
Attach Seat Base Assembly to legs using Chair Bolts (A)..



A-2.12" colored



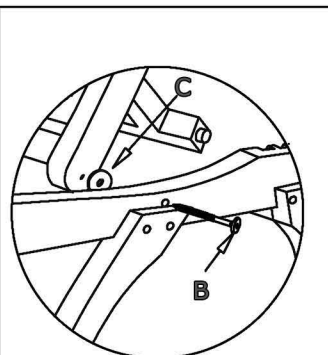
B-3" colored



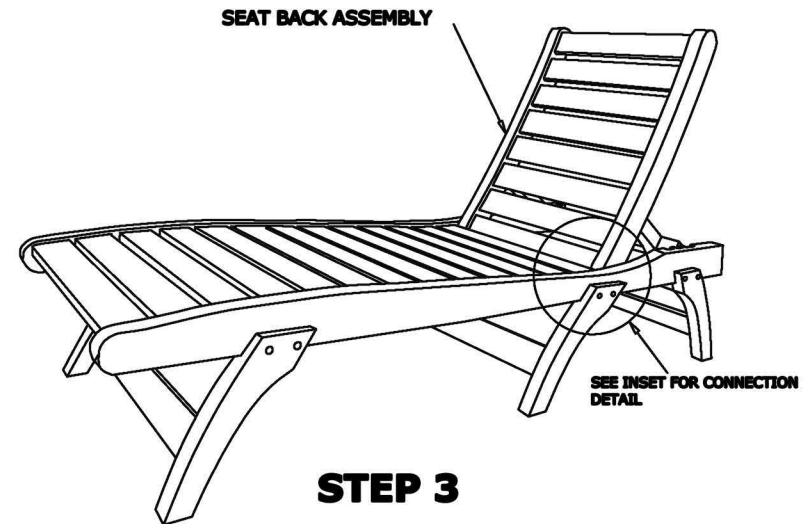
C-0.5" nylon

LIST OF PARTS

- Front Leg Assemblies (2)
- Back Leg Assembly (1)
- Seat Assembly (1)
- Seat Back (1)
- Chair Bolts "A" (12)
- Colored Screws "B" (2)
- Nylon Washers "C" (2)
- Insert Bit Tool (1)



INSET DETAIL



STEP 3

Attach Seat Back to Seat Base using Screws (B) and Nylon Washers (C), as shown in inset detail.

