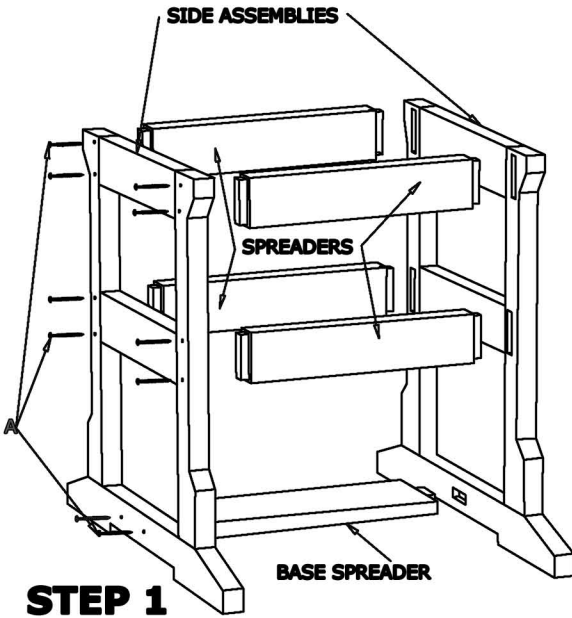
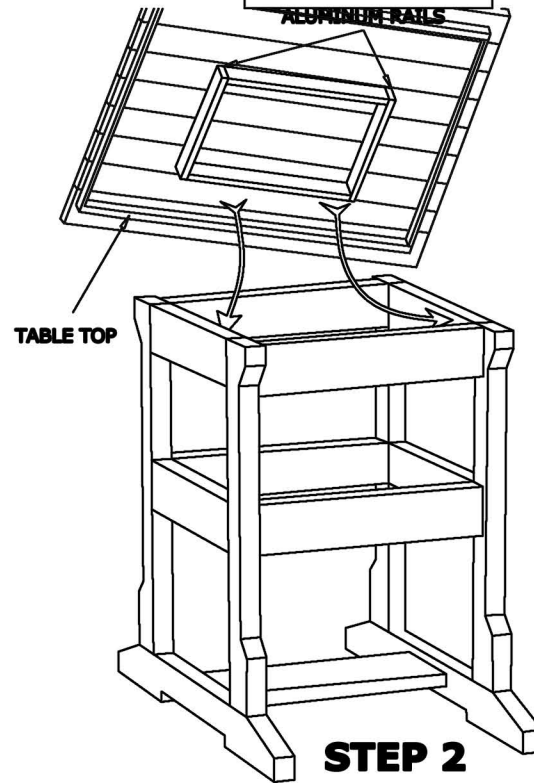


# 32" x 32" SQUARE DINING TABLE

119DT-00002



**STEP 1**  
Attach Side Assemblies to Spreaders by placing the tenon into the mortise (pocket) and attaching with screws (A) as shown.



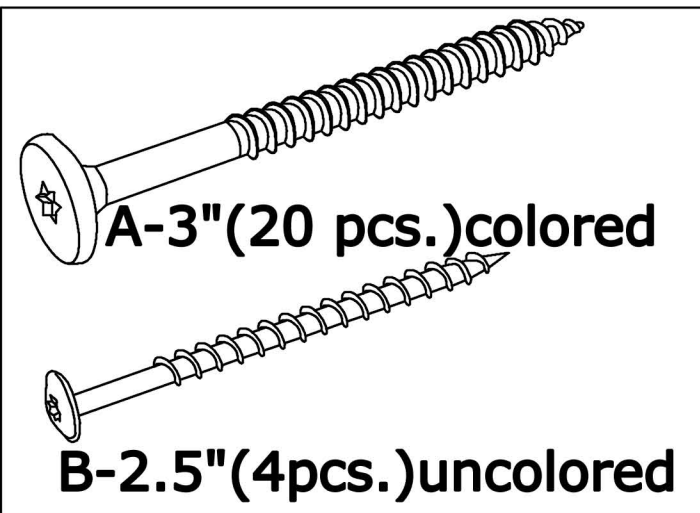
**STEP 2**

Place the table top on the base so that the Aluminum Rails on the table top fit with in the base as shown above



**STEP 3**

Attach Table Top to base using uncolored screws (B). From the underside screw through pre-drilled holes in the aluminum rails into base assembly.



- LIST OF PARTS**  
Side Assemblies (2)  
Spreaders (4)  
Base Spreader (1)  
Table Top (1)  
Colored Screws "A" (20)  
Un-Colored Screws "B" (4)  
Insert Bit Tool (1)

