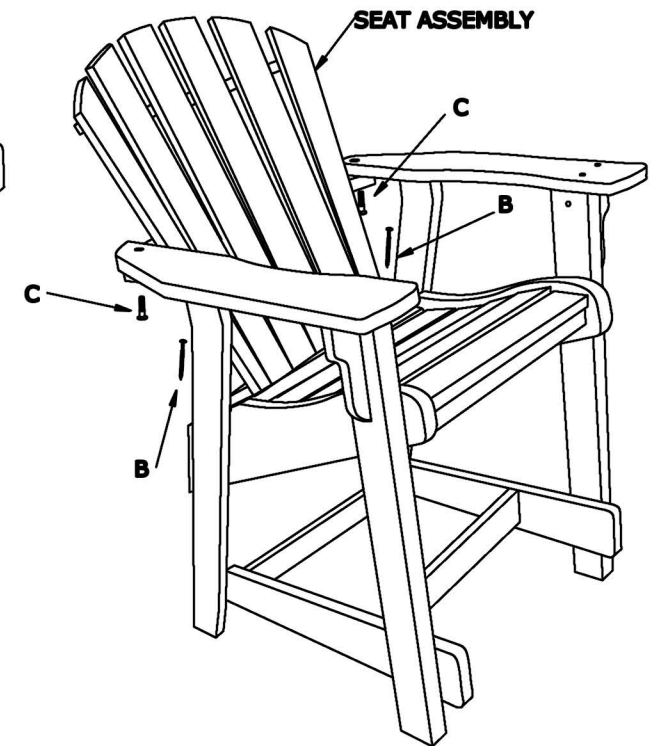
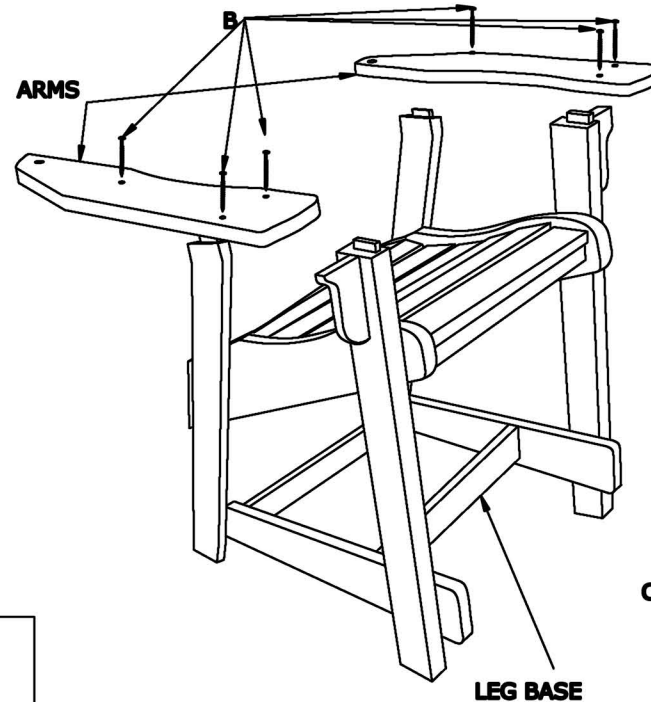
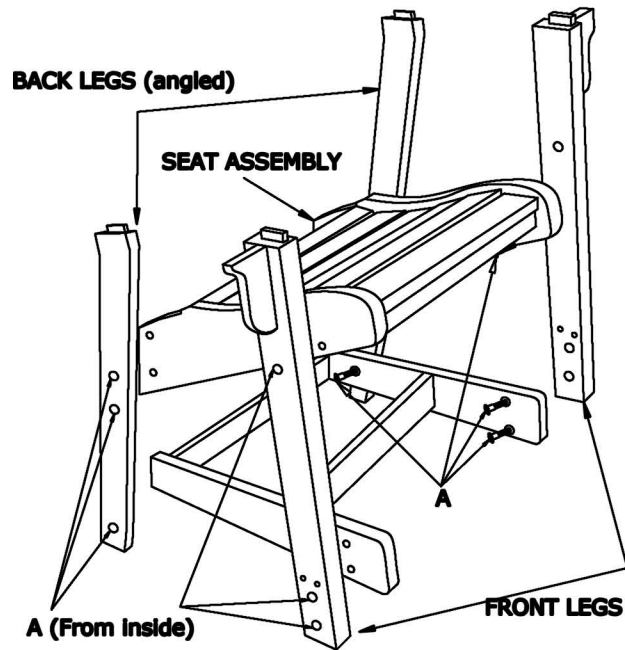


COASTAL DINING CHAIR

119CH-00011



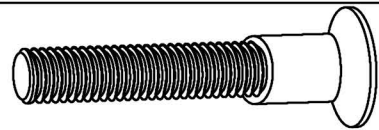
Attach front and back legs to seat and leg base assemblies.

STEP 2

Attach arm rest and supports as shown.

LIST OF PARTS

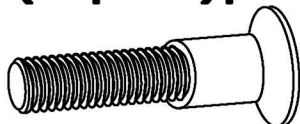
- Back Assembly (1)
- Seat Assembly (1)
- Front Legs (2)
- Rear Legs (2)
- Arms (1R) (1L)
- Leg Base (1)
- Chair Bolts "A" (12)
- Colored Screws "B" (8)
- Chair Bolt "C" (2)
- Insert Bit Tool (1)



A-2.125"(12 pcs.)painted



B-2"(8 pcs.)painted



C-1.5"(2 pcs.)painted

STEP 3

Slide back onto seat and attach at seat and arm rest.

