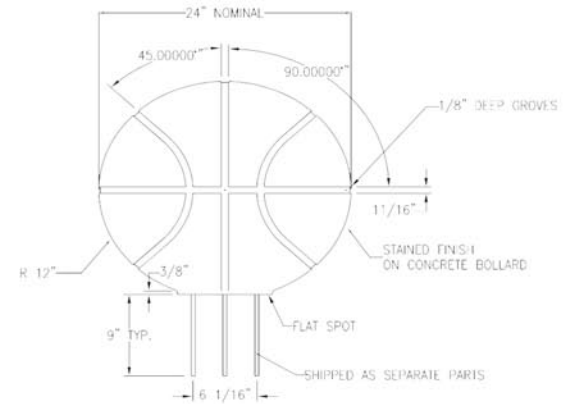




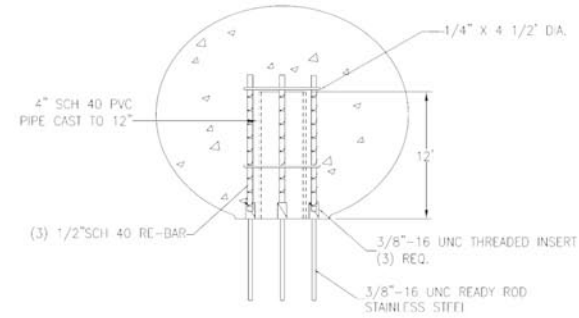
PARK N POOL

58BO-1712-01

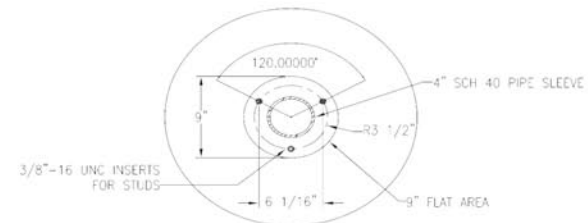
Basketball Concrete Bollard



FRONT VIEW BOLLARD



SECTION "A-A"



BOTTOM VIEW BOLLARD



3/8"-16 S/S READY ROD SUPPLIED WITH EACH BOLLARD FOR ANCHOR (3) EACH THREE

CAUTION: UNLOAD SPHERE ONTO A PROTECTED SURFACE, FOAM, MAT OR ANY SOFT SURFACE TO KEEP DESIGN FROM DAMAGE.