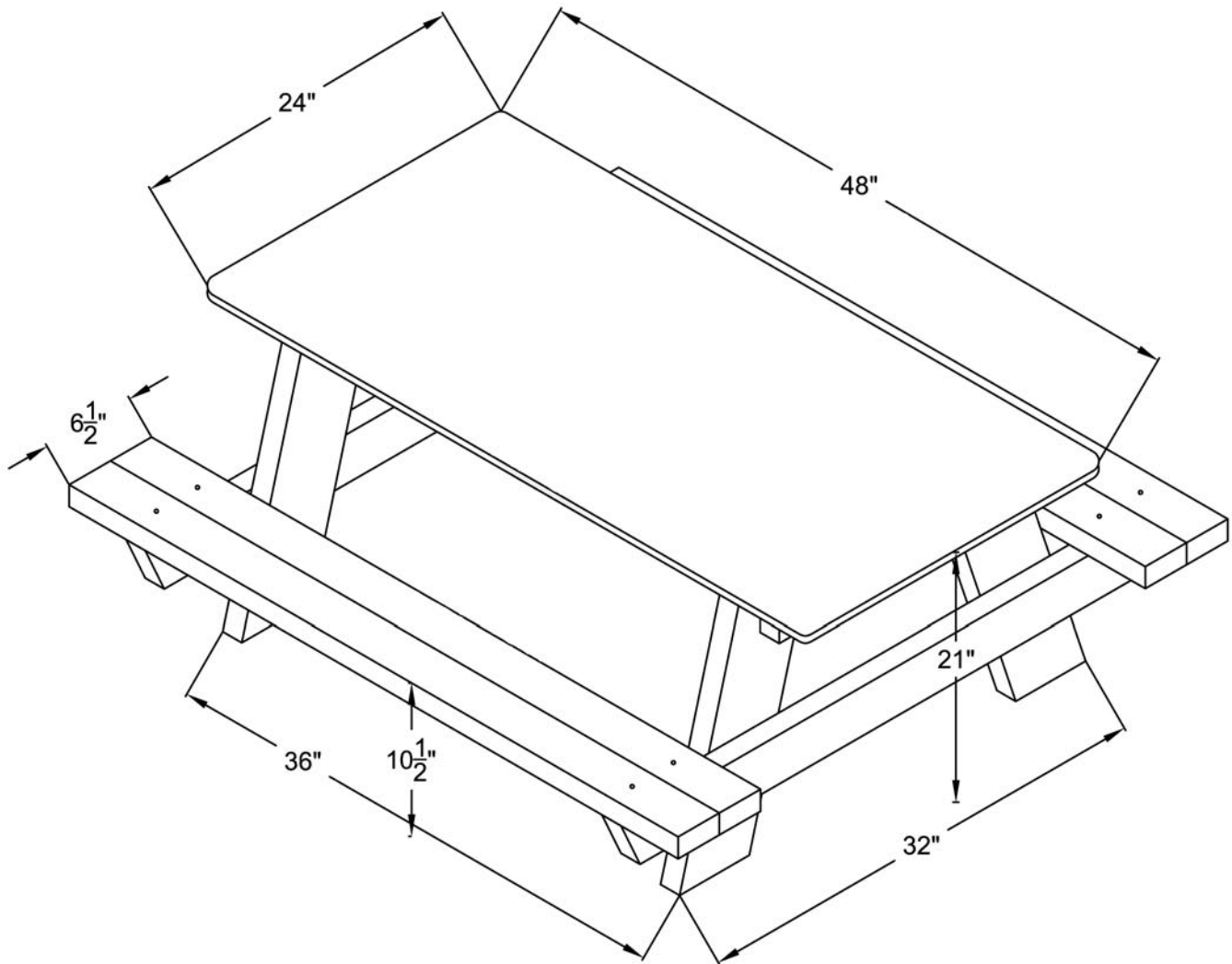




18KT-101

Recycled Plastic Kid Table, 2 Attached Seats



**"A traditional design made for the kid in each of us"**

- SEAT TOP AND SUPPORT STRUCTURE IS RECYCLED PLASTIC
- SOLID SHEET PLASTIC TOP ALLOWS KIDS TO PLAY AND WRITE
- UNIT WEIGHT APPROX. 100 LBS.