



PARK N POOL

15CH-130

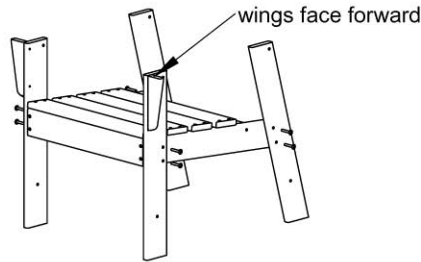
Polywood Original Adirondack

Parts List

- (1) Seat
- (1) Back
- (2) Front legs
- (2) Back legs
- (2) Arms
- (2) Braces
- (1) Hardware pack

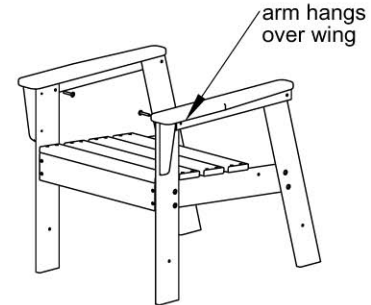
Step 1

Lay seat on its side. Attach front leg and back leg to seat. Now flip seat around and do the other side. Uses (8) 1½" screws



Step 2

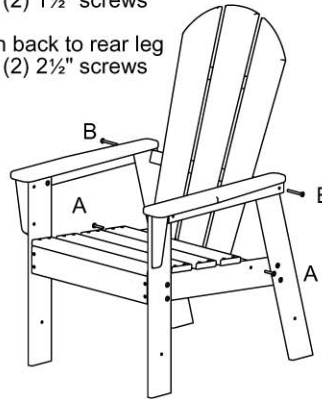
Attach arms to front leg using (2) 1½" screws



Step 3

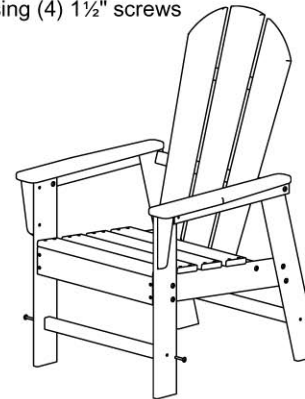
Attach back to seat using (2) 1½" screws

Attach back to rear leg using (2) 2½" screws



Step 4

Attach braces to legs using (4) 1½" screws



TOOLS NEEDED

Phillips head screwdriver

Qty.	Description
16	A - 14x1½" Screw
2	B - 14x2½" Screw

All screws are truss head type B

All hardware is SS