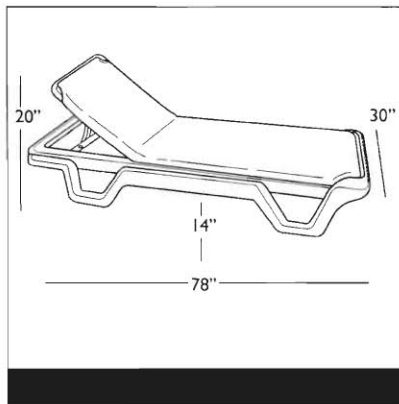




13CL-506

Marina Adjustable Sling Chaise Lounge without Arms, Bronze Mist Frame, 2-pack



**Features and Benefits**

- Specifically made for commercial use.
- Designed for enduring comfort with a firm breathable and supportive commercial grade sling and 5-position adjustable back.
- Solid one-piece molded frame construction.
- Recessed wheels for ease of mobility.
- Woven vinyl coated polyester fabric for strength and color-fastness.
- Sanitized® mesh fabric for mildew resistance.
- Cleans easily with a solution of mild detergent (refer to our cleaning instructions).
- "Memory" sling and resin frame assembly by elastic cordage for excellent recovery and shape retention.
- Will stay cool in the hot sun.
- Rated to 300 pounds for safe use in commercial environment.
- Naturally impervious to salt air and most common stains.
- Stackable for easy storage.
- Fabric can be customized with property logo.
- 3 Year Manufacturer Commercial Warranty.

**PRODUCT SPECIFICATIONS**

Product Description	Color	Reference Number	UPC Code 014306	Weight Each (lbs.)	Master Pack	Master Pack Volume (cu. ft.)
MARINA Adjustable Sling Chaise Lounge on White Frame (14 pack)	Blue	99404006	129792	34.00	14	88.00
	Blue Stripe	99404206	129808			
	Hunter Green	99404020	129815			
	Hunter Green Stripe	99404220	129822			
Teakwood Frame Bronze Mist Frame	Khaki	99414108	136790	37.50	2	27.33
	Khaki	99414137	136806			
White Frame (2 pack)	Blue	US404006	129792			
	Blue Stripe	US404206	129808			
	Hunter Green	US404020	129815			
	Hunter Green Stripe	US404220	129822			
Teakwood Frame Bronze Mist Frame	Khaki	US414108	136790			
	Khaki	US414137	136806			