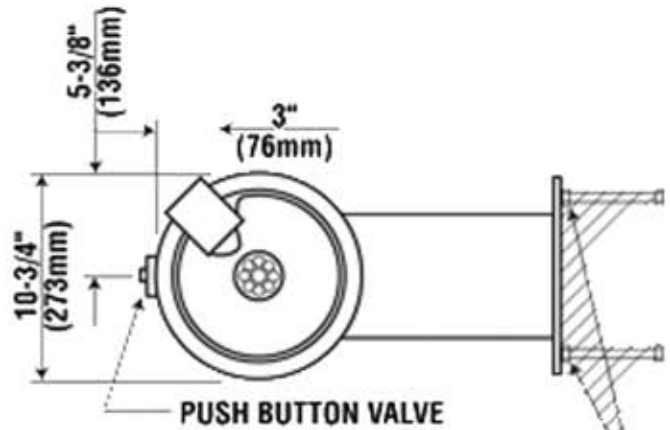
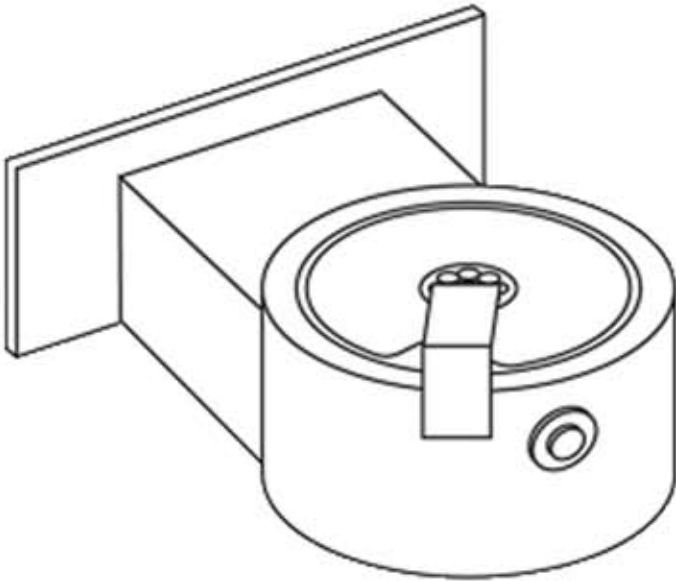


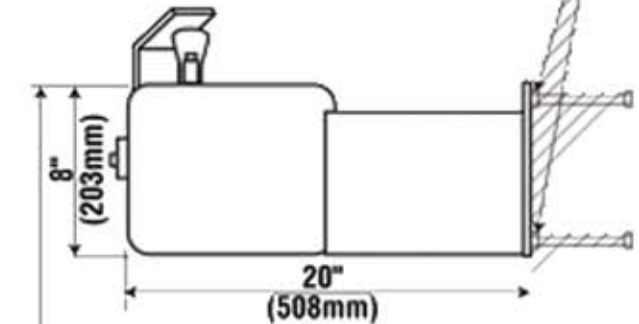


# 35DF-530

Heavy Steel Wall Mounted Drinking Fountain



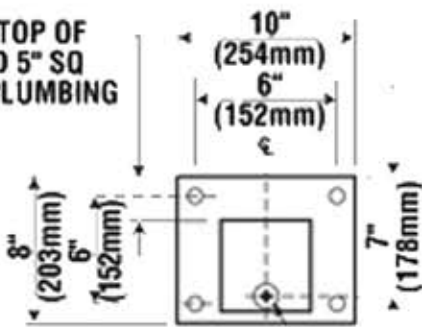
**ANCHOR THROUGH INSIDE (4 TOTAL)  
1/2" BOLTS IN TO 1/2" COUPLING NUTS  
THAT ARE WELDED ONTO  
THE MOUNTING PLATE**



**40" (1016mm) Adult  
35" (889mm) Handicap  
28" (711mm) Child**

**PLUMB IN OR  
BEHIND WALL**

**2-1/2" TO TOP OF  
CENTERED 5" SQ  
HOLE FOR PLUMBING**



**CLEARANCE HOLE  
FOR 1-1/4" DRAIN**

**LOCATE  
PER NEEDS  
33" ADULT  
28" HANDICAP  
21" CHILD**

**FINISHED  
FLOOR**

**VIEW FOR MOUNTING**