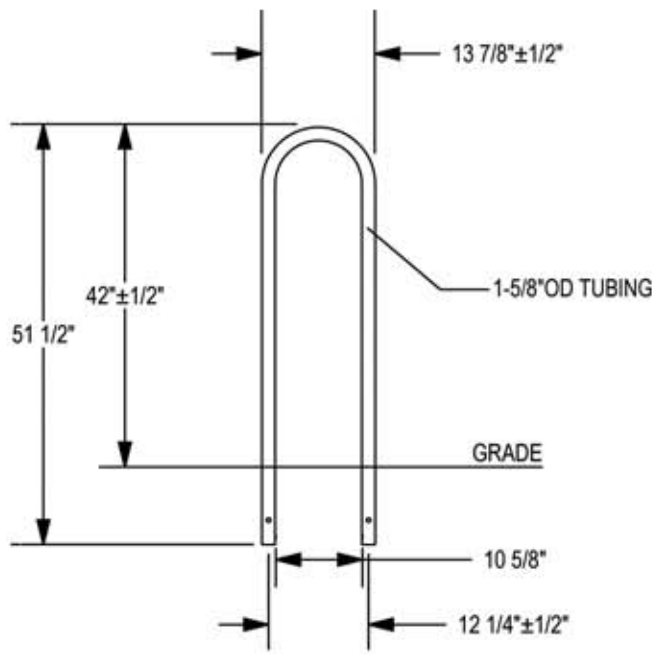


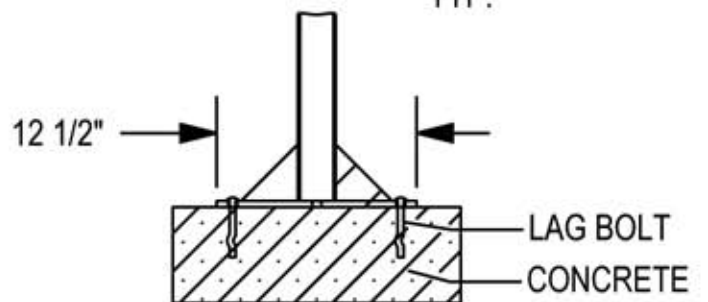
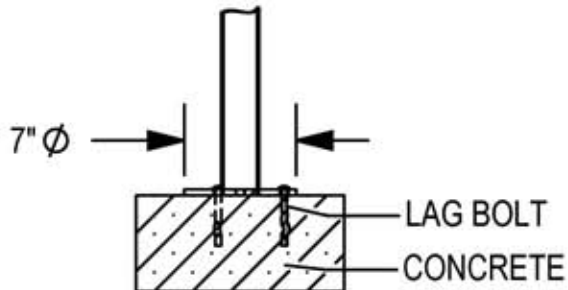
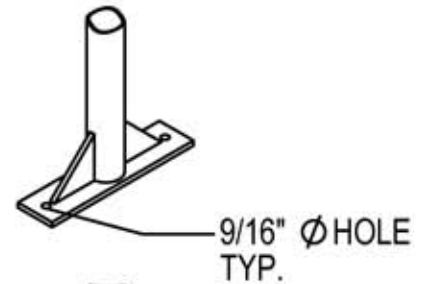
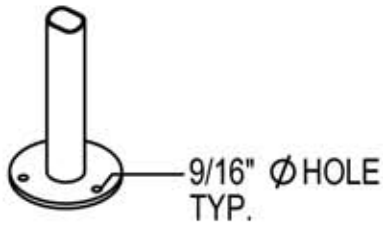


25BR-250S

1 Loop Winder Plus (3 Bikes)
Surface Mount



ELEVATION VIEW



□ SURFACE FLANGE MOUNT (SF)

□ SURFACE GUSSET MOUNT (SG)