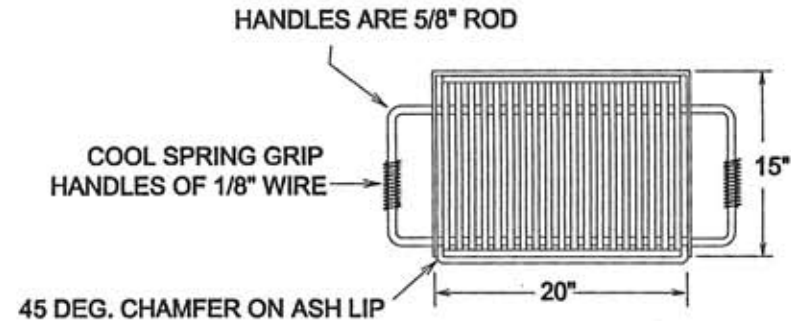
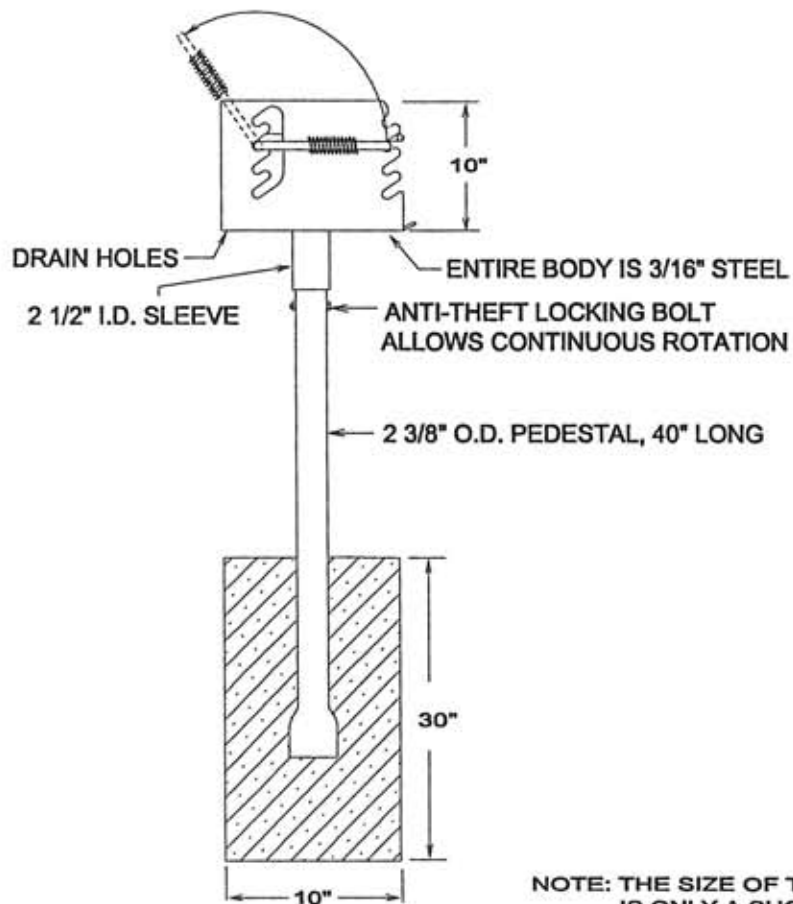


12GR-655

Santa Fe Pedestal Grill
 79 lbs.

COOKING GRATE HAS 4 LEVELS OF ADJUSTMENT
 AND FLIPS BACK FOR EASY FIRE BUILDING
 AND CLEANOUT, YET CANNOT BE REMOVED
 FROM THE GRILL BODY

COOKING SURFACE IS
 1/2" RODS ON 1" CENTERS
 300 SQ. IN.



FINISH:

COOKING GRATE - HEAT RESISTANT BLACK ENAMEL
 BODY & PEDESTAL - *SAME*

NOTE: THE SIZE OF THE FOOTING
 IS ONLY A SUGGESTION
 YOUR LOCAL SOIL CONDITIONS
 SHOULD DETERMINE WHAT IS
 NECESSARY